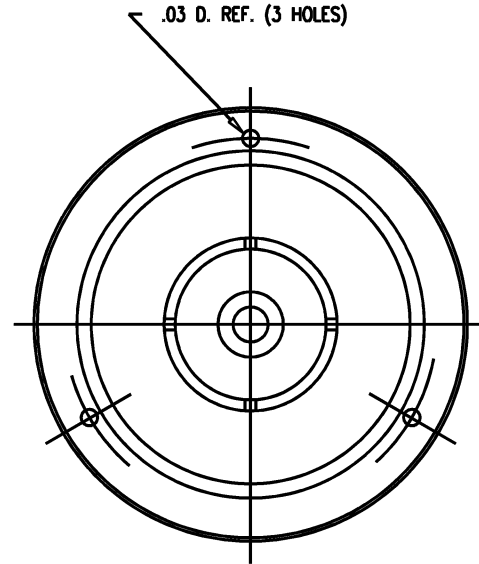
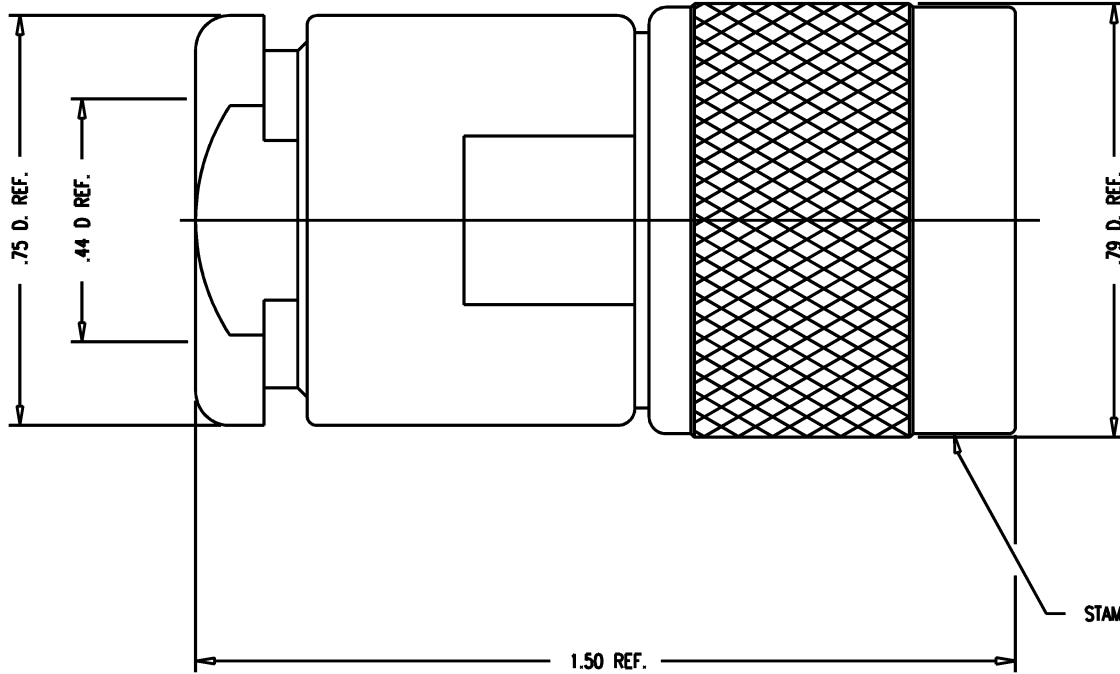


DASH NO.	M CODE	MADE FROM
----------	--------	-----------

GSD



STAMP: 91836 M39012/01-0005 KN-59-176

XX XX
DATE CODE

NOTES:

- FOR USE WITH RG-8,9,213 & 214/U CABLE GROUPS.
- FOR CABLING INSTRUCTIONS SEE CP-1016.
- MATERIALS:**
 INSULATORS: TEFLON, L-P-403
 WASHER: BRASS, QQ-B-613
 WASHER: COPPER, QQ-C-576
 GASKETS: SILICONE RUBBER, ZZ-R-765
 C-RING } PHOSPHOR BRONZE, QQ-B-750
 OUTER CONTACT }
 ALL OTHER METAL PARTS: BRASS, QQ-B-626

4. FINISHES:

CENTER CONTACT: HARD GOLD PLATE, PER MIL-G-45204
 ALL OTHER METAL PARTS: SILVER PLATE, QQ-S-365

5. ELECTRICAL CHARACTERISTICS:

NOMINAL IMPEDANCE: 50 OHMS
 WORKING VOLTAGE: 1000 VRMS
 FREQUENCY RANGE: DC TO 11 GHz.

M39012/01-0005

REVISIONS

ISSUE	CHANGES
6	CN 32243 A REDRAWN WJM 06/05/90

SCALE 4:1

APPROX SURFACE AREA

KN-59-176

USED ON

REF: SUPERSEDES UG-1185A/U

N PLUG

DRAWN WJM	DATE 06/05/90
DESIGN MJB	DATE 06/06/90
APPR.	DATE

KINGS
ELECTRONICS CO., INC.
TUCKAHOE, NEW YORK 10707

M39012/01-0005

GSD